

**05 - 06 Information Security and Assurance Degree Requirements**

**GENERAL EDUCATION REQUIREMENTS**

**45 Hours**

<u>Course</u>	<u>Description</u>	<u>Hours</u>		<u>Course</u>	<u>Description</u>	<u>Hours</u>	
ANTH 2105 or	Anthropology	2	} 2 Hours	ART 1107 or	Visual Arts	3	} 3 Hours
GEOG 2105 or	Geography	2		MUSI 1107 or	Music	3	
PSYC 2105 or	Psychology	2		THTR 1107	Theater	3	
SOCI 2105	Sociology	2					
COM 1109 or	Communication	3	} 3 Hours	ECON 1100 or	Global Econ	3	} 3 Hours
FL 1002 or	Foreign Language	3		ECON 2100	Microeconomics	3	
PHIL 2200	Ways of Knowing	3					
SCI 1101 and	Science Principles and Process I	4	} 7-8 Hours	ENGL 1101	Composition I	3	} 9 Hours
SCI 1102 Science Principles Processes II		3		ENGL 1102	Composition II	3	
(The following classes may be substituted for SCI 2205/2206)				ENGL 2110	World Literature	3	
CHEM 1211/1211L or		4		MATH 1101 and	Math Modeling	3	} 6 Hours
CHEM 1212/1212L or		4		MATH 1106	Elem App Calc	3	
PHYS 1111/1111L or		4					
PHYS 1112/1112L		4					
				HIST 1110	World Civilization	3	} 9 Hours
				HIST 2112	America 1890	3	
				POLS 1101	Am. Government	3	
				HPS 1000	Fitness for Living	3	3 Hours

**Lower Division Major Requirements**

**18 Hours**

<u>Course</u>	<u>Description</u>	<u>Hours</u>	<u>PREREQUISITES</u>
ACCT 2100	Introduction to Financial Accounting	3	ENGL 1101 and MATH 1101
ACCT 2200	Introduction to Managerial Accounting	3	ACCT 2100 and MATH 1106
CSIS 2300	Intro to Computer Information Systems OR BISM 2100 Business Information Systems & Communications	3	Credit math course
BLAW 2200	Legal and Ethical Environment of Business	3	NONE
CSIS 2301	Programming Principles I	3	NONE
CSIS 2520	Introduction to Data Communications	3	CSIS 2300
			CSIS 2301

**Upper Division Major Requirements**

**42 Hours**

<u>Course</u>	<u>Description</u>	<u>Hours</u>	<u>PREREQUISITES</u>
ENGL 3140	Technical Writing	3	ENGL 2110
MATH 3400	Computer Applications in Statistics	3	CSIS 2300
MGT 3100	Management and Behavioral Sciences	3	60 credit hours
CSIS 3210	Project Management	3	CSIS 2301 or ACCT 3100
ISA 3010 Security Script Programming		3	CSIS 2301
ISA 3100 Principles of ISA		3	CSIS 2300 or BISM 2100
ISA 3200 Applications in ISA		3	ISA 3100 & CSIS 2520
ISA 3300 Policy and Administration in ISA		3	ISA 3100
ISA 3350 Computer Forensics		3	ISA 3200
ISA 4210 Client Operating System Security		3	ISA 3010 and ISA 3200
ISA 4220 Server Operating System Security		3	ISA 3010 and ISA 3200
ISA 4330 Incident Response & Contingency Planning		3	ISA 3300 & CSIS 2520
ISA 4820 ISA Programs & Strategies		3	ISA 3200 & ISA 4330
IT 3500	Database Technologies	OR 3	CSIS 2300 or BISM 2100
	BISM 3200 Adv Business Application Sys	OR	BISM 3100 or 60 hours
	CSIS 3310 Introduction to Database Systems		CSIS 2301

**Major Electives (Choose three 3-hour classes) SEE REVERSE FOR DESCRIPTIONS 9 Hours**

ACCT 3100, ACCT 3300, ACCT 4150, ECON 2200, CRJU 1101, CRJU 3305, CRJU 3320, CRJU 4305, CSIS 3550, CSIS 4420, CSIS 4510, CSIS 4515, CSIS 4555, CSIS 4575, ISA 4400, ISA 4490, ISA 4700, IT 3300, IT 3700, IT 4525

**Free Electives (Any courses in KSU curriculum totaling 9 hours)**

**9 Hours**

**TOTAL 123 Hours**

## Description of Electives

<u>COURSE</u>	<u>TITLE</u>	<u>PREREQUISITES</u>
<b>BUSINESS ELECTIVES: (An Accounting &amp; Auditing specialization may be obtained by selecting the following ACCT courses)</b>		
ACCT 3100	Intermediate Financial Accounting & Audit	ACCT 2100 & ACCT 2200
ACCT 3300	Accounting Information Systems	ACCT 3100
ACCT 4150	Auditing and Assurance	ACCT 3300 & permission of the dept chair
ECON 2200	Principles of Macroeconomics	ECON 2100

**CRIMINAL JUSTICE ELECTIVES: (A Criminal Justice & CyberCrime specialization may be obtained by selecting from the following CRJU courses)**

CRJU 1101	Foundations of Criminal Justice	none
CRJU 3305	Technological Applications in Criminal Justice	CRJU 1101
CRJU 3320	Criminal Investigation	CRJU 1101
CRJU 4305	Technology and Cyber Crime	CRJU 1101 and CRJU 3305

**CSIS ELECTIVES:**

CSIS 3550	Linux Administration and Security	CSIS 3600 and CSIS 3530 or ISA 3010
CSIS 4420	Local Area Networks	CSIS 2520
CSIS 4510	Computer Law	CSIS 3600 or ISA 4330
CSIS 4515	Computer Ethics	CSIS 3310 or IT 3500
CSIS 4555	Electronic Business Systems	CSIS 3210
CSIS 4575	Technology Commercialization	Any 3000 Level CSIS (or ISA) Course

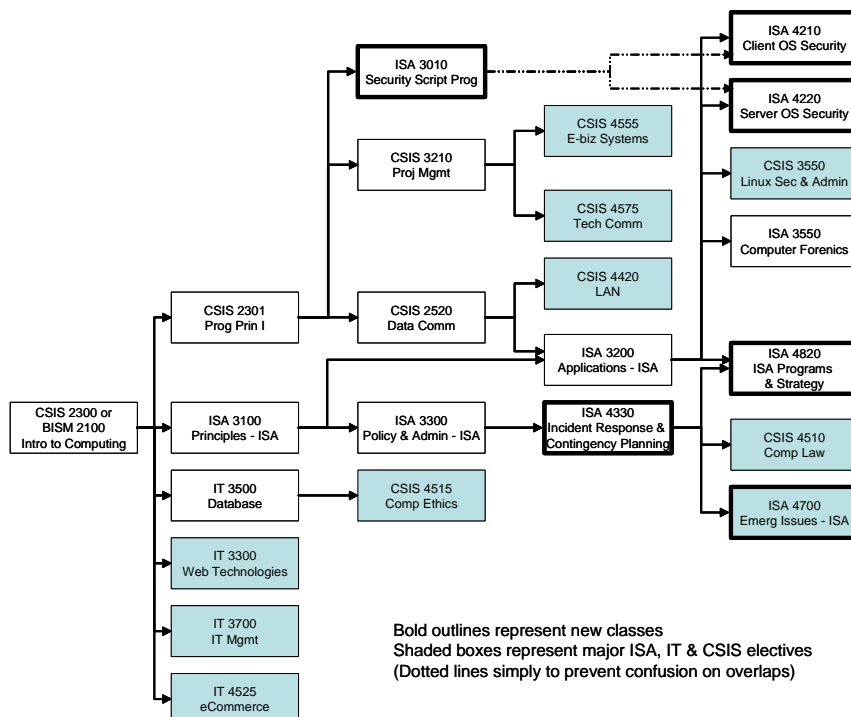
**INFORMATION SECURITY ELECTIVES:**

ISA 3396*	Cooperative Study in ISA	Approval of Career Services & Dept Chair
ISA 3398*	Internship in ISA	Approval of Career Services & Dept Chair
ISA 4400	Directed Study in ISA	Approval of Instructor/Chair
ISA 4490	Special Topics in ISA	varies by topic
ISA 4700	Emerging Issues in ISA	ISA 4330

**INFORMATION TECHNOLOGY ELECTIVES: Students may take no more than one of the following:**

IT 3300	Web Technologies	CSIS 2300 or BISM 2100
IT 3700	Information Technology Management	CSIS 2300 or BISM 2100
IT 4525	Electronic Commerce	CSIS 2300 or BISM 2100

\* Internships & Cooperative Studies are free electives and do not count toward major electives.



**Four-Year Program of Study for Full-Time Student**

<b>Status</b>	<b>1<sup>st</sup> Semester Program</b>	<b>2<sup>nd</sup> Semester Program</b>
<b>Freshman</b> (up to 30 hrs)	ENGL 1101 (3) MATH 1101 (3) CSIS 2300 (or BISM 2100) (3) HPS 1000 (3) ECON 1100 or ECON 2100 (3) <b>TOTAL HOURS: 15</b>	ENGL 1102 (3) MATH 1106 (3) POLS 1101 (3) COM 1109 or FL 2001 or PHIL 2200 (3) CSIS 2301 (3) <b>TOTAL HOURS: 15</b>
<b>Sophomore</b> (30 - 60 hrs)	ENGL 2110 (3) HIST 1110 (3) CSIS 2520 (3) SCI 1101 (4) ACCT 2100 (3) <b>TOTAL HOURS: 16</b>	HIST 2112 (3) ACCT 2200 (3) BLAW 2200 (3) ISA 3100 (3) SCI 1102 (3) <b>TOTAL HOURS: 15</b>
<b>Junior</b> (60 - 90 hrs)	ISA 3010 (3) ISA 3200 (3) ART 1107 or MUSI 1107 or THTR 1107 ENGL 3140 (3) IT 3500 (3) ANTH 2105 or GEOG 2105 or PSYC 2105 or SOCI 2105 (2) <b>TOTAL HOURS: 17</b>	MGT 3100 (3) ISA 4210 (3) ISA 3300 (3) MATH 3400 (3) Major Elective** (3) <b>TOTAL HOURS: 15</b>
<b>Senior</b> (over 90 hrs)	ISA 3550 (3) CSIS 3210 (3) ISA 4320 (3) Free Elective* (3) Major Elective** (3) <b>TOTAL HOURS: 15</b>	ISA 4220 (3) ISA 4820 (3) Free Elective* (3) Free Elective* (3) Major Elective** (3) <b>TOTAL HOURS: 15</b>

\*Prerequisites for electives vary by class.

\*\* Major electives are listed in the current KSU catalog.

**Five-Year Program of Study for Part-Time Student (12 Hours)**

<b>1<sup>st</sup> Semester Program</b>	<b>2<sup>nd</sup> Semester Program</b>
<b>Freshman (up to 30 hrs)</b>	
ENGL 1101 (3)	ECON 1100 or ECON 2100 (3)
MATH 1101 (3)	ENGL 1102 (3)
CSIS 2300 (or BISM 2100) (3)	MATH 1106 (3)
HPS 1000 (3)	CSIS 2301 (3)
<b>TOTAL HOURS: 12</b>	<b>TOTAL HOURS: 12</b>
<b>Sophomore (30 - 60 hrs)</b>	
COM 1109 or FL 2001 or PHIL 2200 (3)	CSIS 2520 (3)
POLS 1101 (3)	SCI 1101 (4)
ENGL 2110 (3)	ACCT 2100 (3)
HIST 1110 (3)	HIST 2112 (3)
<b>TOTAL HOURS: 12</b>	<b>TOTAL HOURS: 13</b>
<b>Junior (60 - 90 hrs)</b>	
ACCT 2200 (3)	ISA 3010 (3)
BLAW 2200 (3)	ISA 3200 (3)
ISA 3100 (3)	ART 1107 or MUSI 1107 or THTR 1107 (3)
SCI 1102 (3)	ENGL 3140 (3)
<b>TOTAL HOURS: 12</b>	<b>TOTAL HOURS: 12</b>
IT 3500 (3)	MATH 3400 (3)
ANTH 2105 or GEOG 2105 or PSYC 2105 or SOCI 2105 (2)	ISA 3550 (3)
MGT 3100 (3)	Free Elective* (3)
ISA 4210 (3)	Major Elective** (3)
ISA 3300 (3)	
<b>TOTAL HOURS: 14</b>	<b>TOTAL HOURS: 12</b>
<b>Senior (over 90 hrs)</b>	
ISA 4320 (3)	ISA 4220 (3)
CSIS 3210 (3)	ISA 4820 (3)
Free Elective* (3)	Free Elective* (3)
Major Elective** (3)	Major Elective** (3)
<b>TOTAL HOURS: 12</b>	<b>TOTAL HOURS: 12</b>

\*Prerequisites for electives vary by class. Check KSU catalog for current prerequisite requirements.

\*\* Major electives are listed in the current KSU catalog.